



**Digital Portable Submersible**

**Density/Level/Specific Gravity/Concentration Meter**

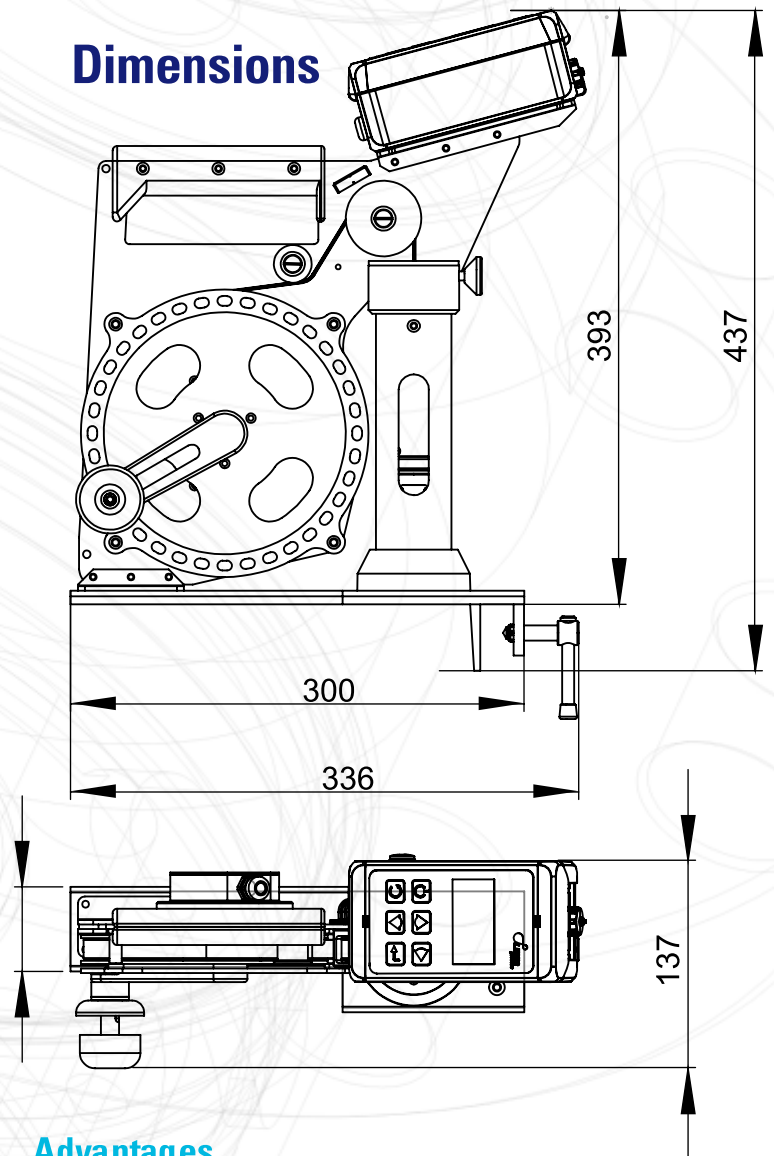
**DUTI-254 (DM-250.4)**

*IN PROCESS TO EXCELLENCE*

The portable density meter DUTI-254 is designed for density and level measurements of any pure liquids directly in tanks, without sampling, at the depth up to **30 meters**.



## Dimensions

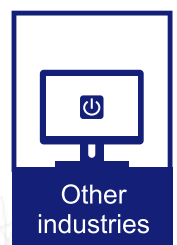
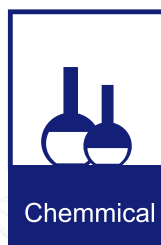


## Advantages

- Direct density measurement
- Record spot density and average per tank
- Automatic temperature compensation
- No sampling required
- ATEX, IEC Hazloc certification
- Safe operation, low maintenance
- At any depths up to 30 meters
- Economical and easy to operate
- Measures highly viscous liquids up to 2000 cP
- Rigid construction for heavy duty outdoor operation
- Local results storage and Bluetooth and USB data transfer

## Applications

- Petroleum industry
- Ethanol production
- Food & Beverages
- Chemical industry
- Cosmetic industries
- Pharmaceutical industry



# DUTI-254 OVERVIEW



## For Easy Distinguish:

Displays Density and Temperature  
 Displays Referred Density  
 Displays Level  
 Displays Tank Number, Date and Time



## Principle:

### Detection of Density and Ullage

The detection method is based upon the principle of detecting a change in resonance frequency.

### Temperature Measurement

Temperature measurement is obtained by changes in electrical resistance of a platinum element.



# Specifications

<b>Measuring range:</b>	
Density	0... 3 g/cm <sup>3</sup> (0... 3000 kg/m <sup>3</sup> )
Density Standard calibration	0.6... 1.2 g/cm <sup>3</sup> (600... 1200 kg/m <sup>3</sup> ) 0.9... 1.8 g/cm <sup>3</sup> (900... 1800 kg/m <sup>3</sup> )
Temperature Level	-40... +85°C (-40... +185°F) up to 30 m (100ft.)
<b>Accuracy:</b>	
Density	±0.0003 or ±0.0005 g/cm <sup>3</sup> (±0.3 or ±0.5 kg/m <sup>3</sup> )
Temperature Level	±0.1°C (±0.2°F) or ±0.2°C (±0.4°F) ±2mm (±0.008")
<b>Repeatability:</b>	
Density	±0.00015 or ±0.00025 g/cm <sup>3</sup> (±0.15 or ±0.25 kg/m <sup>3</sup> )
Temperature Level	±0.1°C (±0.2°F) ±1mm (1/16")
<b>Resolution:</b>	
Density	0.0001 g/cm <sup>3</sup> (0.1 kg/m <sup>3</sup> )
Temperature Level	0.01°C (0.02°F) ±1mm (1/16")
Supported measuring units	Real Density: g/cm <sup>3</sup> , kg/m <sup>3</sup> , lb/gal, lb/ft <sup>3</sup> ; API; SG Referred Density: at 15°C, 20°C, 60°F; API60; SG60 Tables ASTM D 1250 Alcohol Tables Temperature in °C or °F
Ambient temperature	-40... +85°C (-40... +185°F)
Depth of submersion	Up to 30 meters (100 ft.)
<b>Sensor:</b>	
Type	Vibrating element (Resonance principle)
Material	Stainless steel SS 316 L; NiSpan C; Hastelloy C22
Weather rating	IP68
<b>Intrinsically safe:</b>	
Level block with sensor	ATEX II 1G EEx ia IIB T4
Charging device	USB with IP68 protected connector
Power supply	NiMH 3.6V-1500mAh
Operating time without charging	Appr. 12 hours
<b>Dimensions, weight:</b>	
Level block with sensor	437 x 336 x 137 mm (17.1 x 13.2 x 5.4 in), 3 kg (6.6 lb)
Temperature compensation	Automatic
Viscosity compensation	Automatic
Data handling	OLED Display (128x64) with backlight Local memory up to 2000 results with date/time stamped Build in Bluetooth and USB for data transfer to printer or PC Optional Windows - based software
Delivery	Delivered in compact carrying case



Multifunctional software allows to proceed the measurements results in use-convenient form;  
Compatible for a Windows 7/8/10\*



Immediate printout of the measurements by Bluetooth  
No need for PC\*



Delivered in compact carrying case



\* Option

**For more information please visit [www.lemis-process.com](http://www.lemis-process.com)**



**USA**  
**LEMIS USA, Inc.**  
2121 Golden Road, Suite 2A  
The Woodlands  
TX 77380, USA  
Ph.: +1 281 465 8441  
Fax: +1 281 465 8224

**EUROPE**  
**AS LEMIS Baltic**  
26 Ganību dambis  
Rīga, LV-1005  
Latvia, EU  
Ph.: +371 6738 3223  
Fax: +371 6738 3270

**INDIA**  
**LEMIS India PVT LTD**  
Haware Infotech Park  
Office No.2004, Plot No. 39/3  
Sector 30A, Vashi, Navi Mumbai. 400703, INDIA  
Ph.: +91 22 6721 5655  
Fax: +91 22 6794 2666

**E-mail: [info@lemis-process.com](mailto:info@lemis-process.com)**